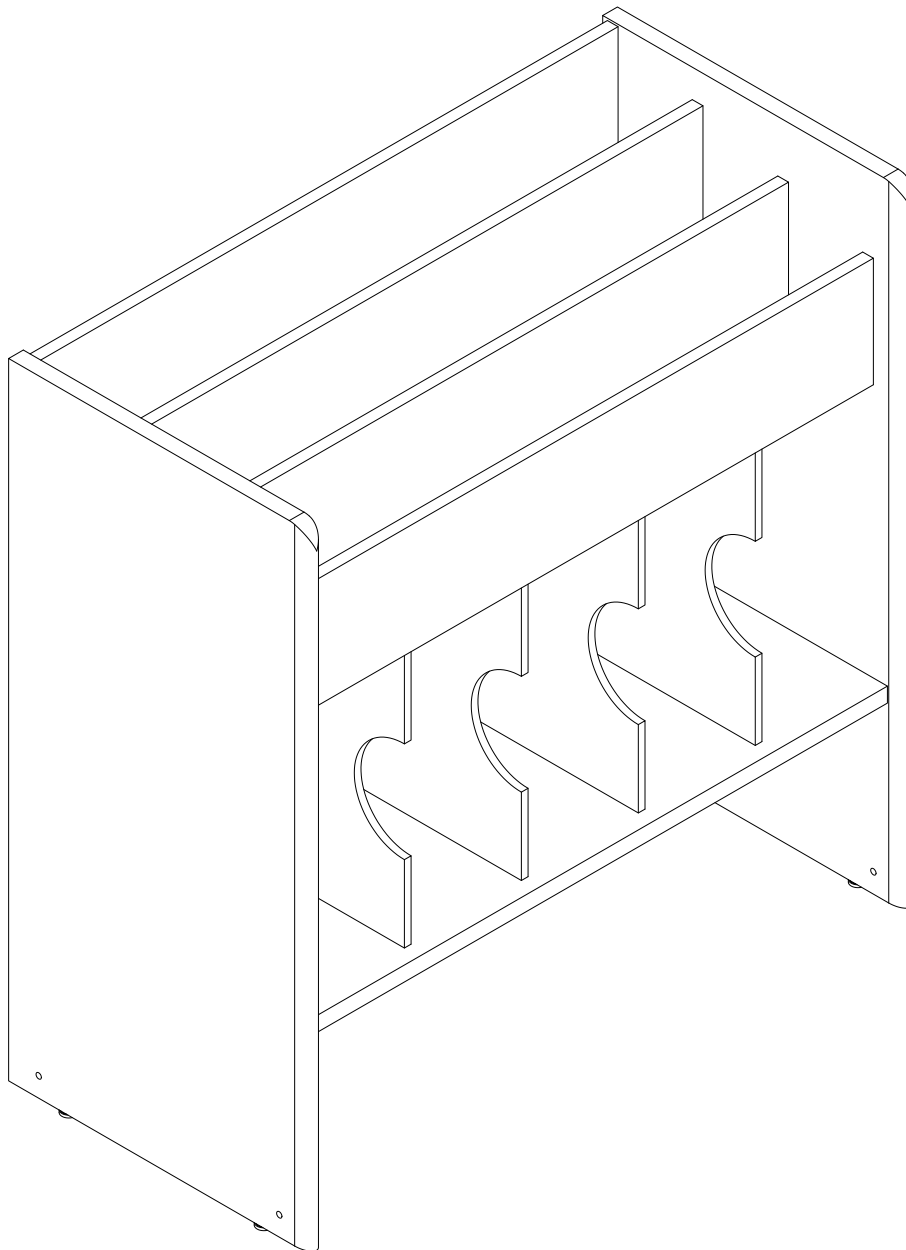




Assembly Guide

Big Claus, Book browser

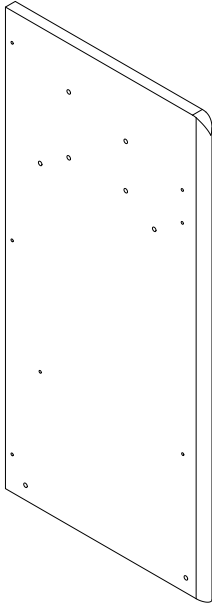


11.2023

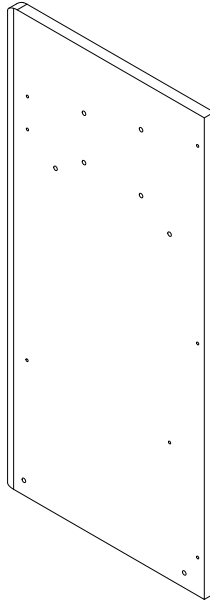
First check the contents to make sure that nothing is missing. Sort out the screws and fittings as shown.
Assemble your furniture step by step, as shown in the illustrations.



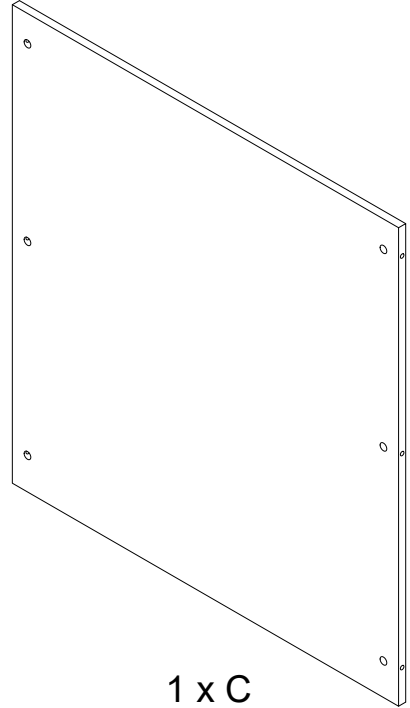
1



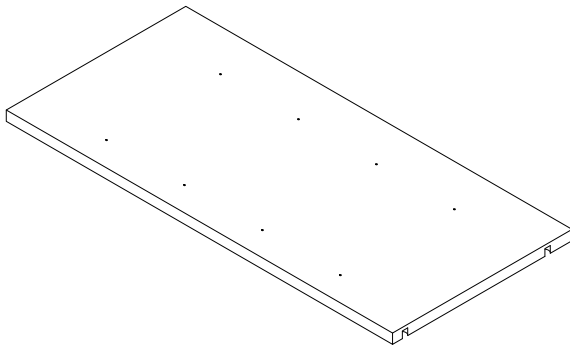
1 x A



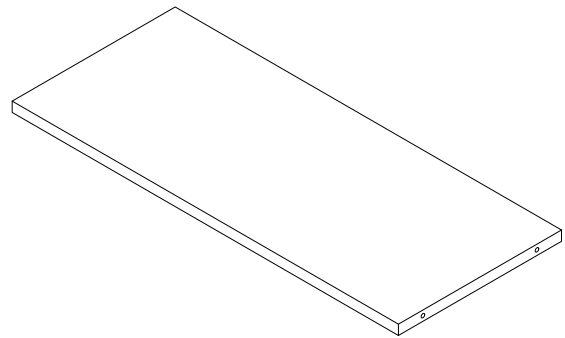
1 x B



1 x C



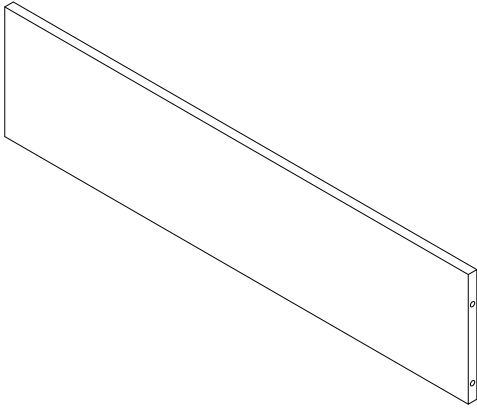
1 x D



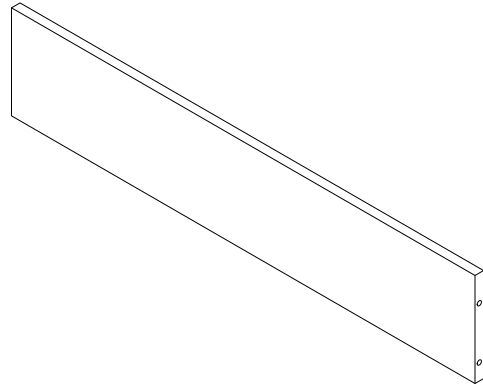
1 x E



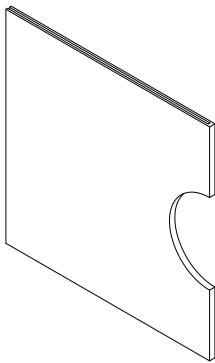
2



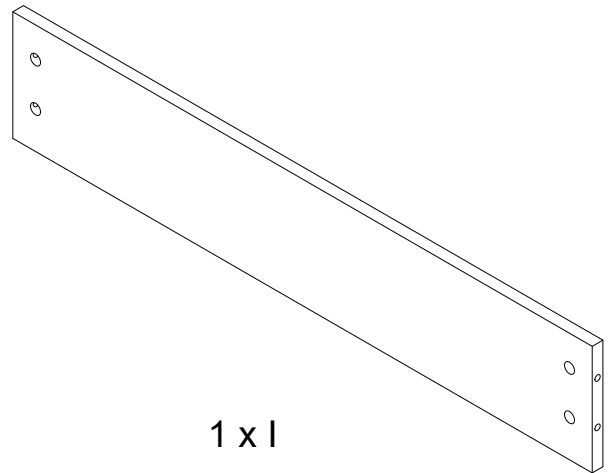
1 x F



1 x G



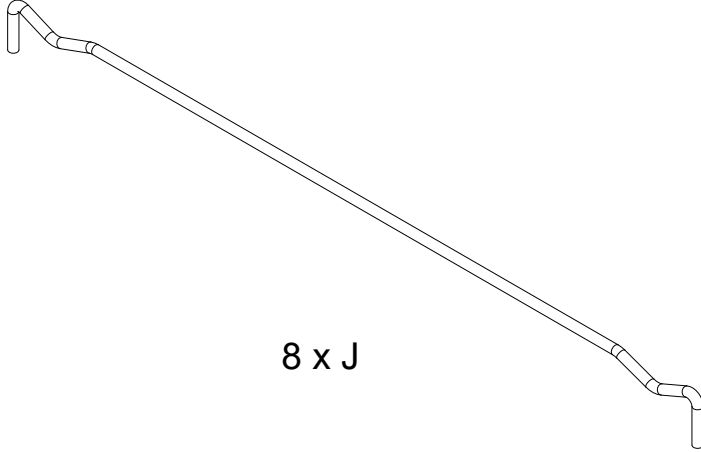
4 x H



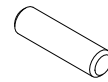
1 x I



3



8 x J



12 x K



4 x L



10 x M



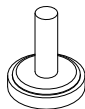
10 x N



4 x O



4 x P



4 x Q

