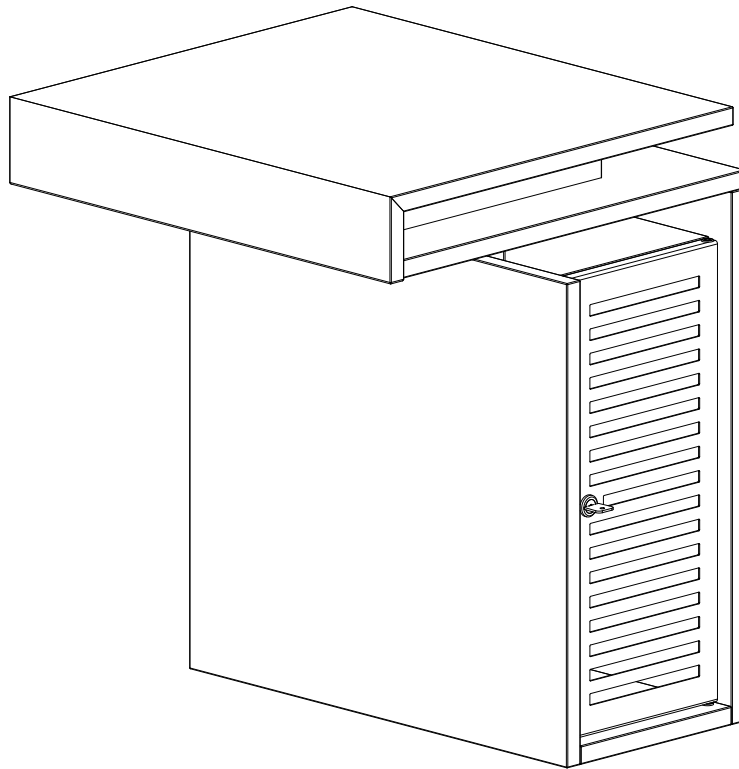




# Assembly Guide

## Flatline wall mounted search station



06.2021

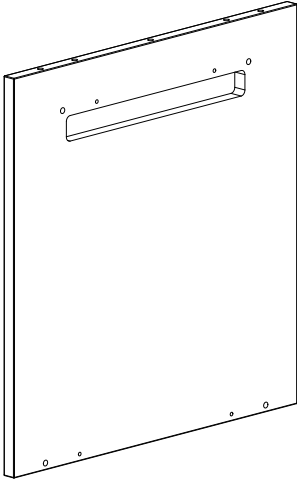
First check the contents to make sure that nothing is missing. Sort out the screws and fittings as shown.  
Assemble your furniture step by step, as shown in the illustrations.

# Assembly Guide

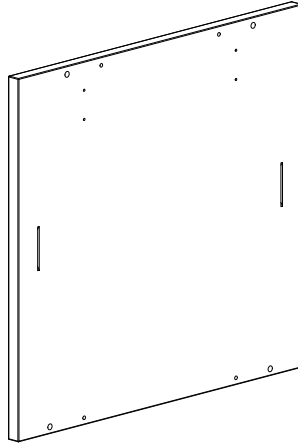


## Flatline wall mounted search station

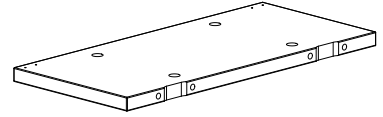
1



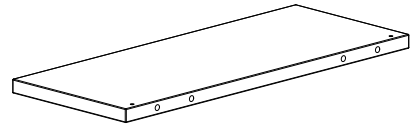
1 x A



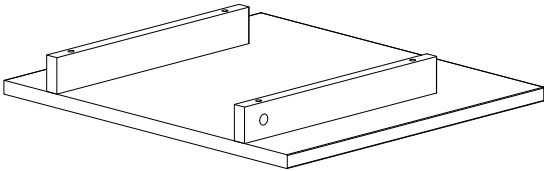
1 x B



1 x C



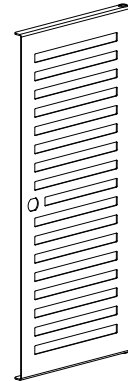
1 x D



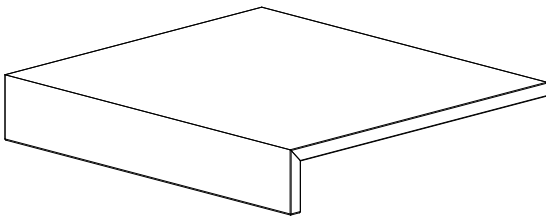
1 x E



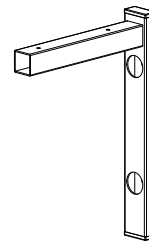
2 x F



2 x G



1 x H



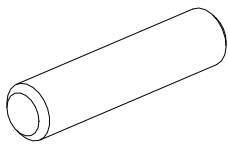
2 x I

# Assembly Guide

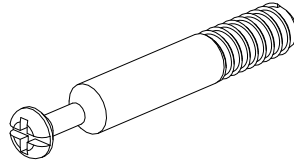


## Flatline wall mounted search station

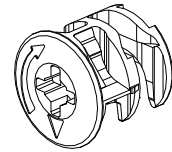
2



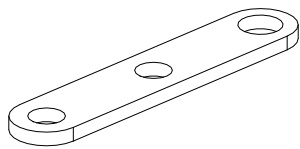
13 x J



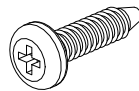
10 x K



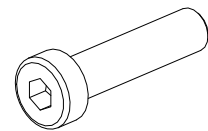
12 x L



2 x M



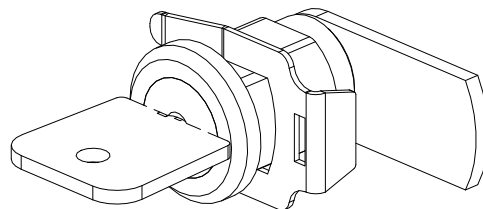
10 x N



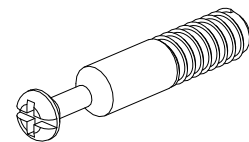
4 x O



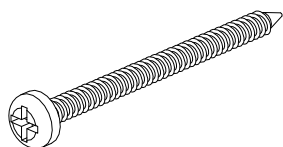
2 x P



2 x Q



2 x R

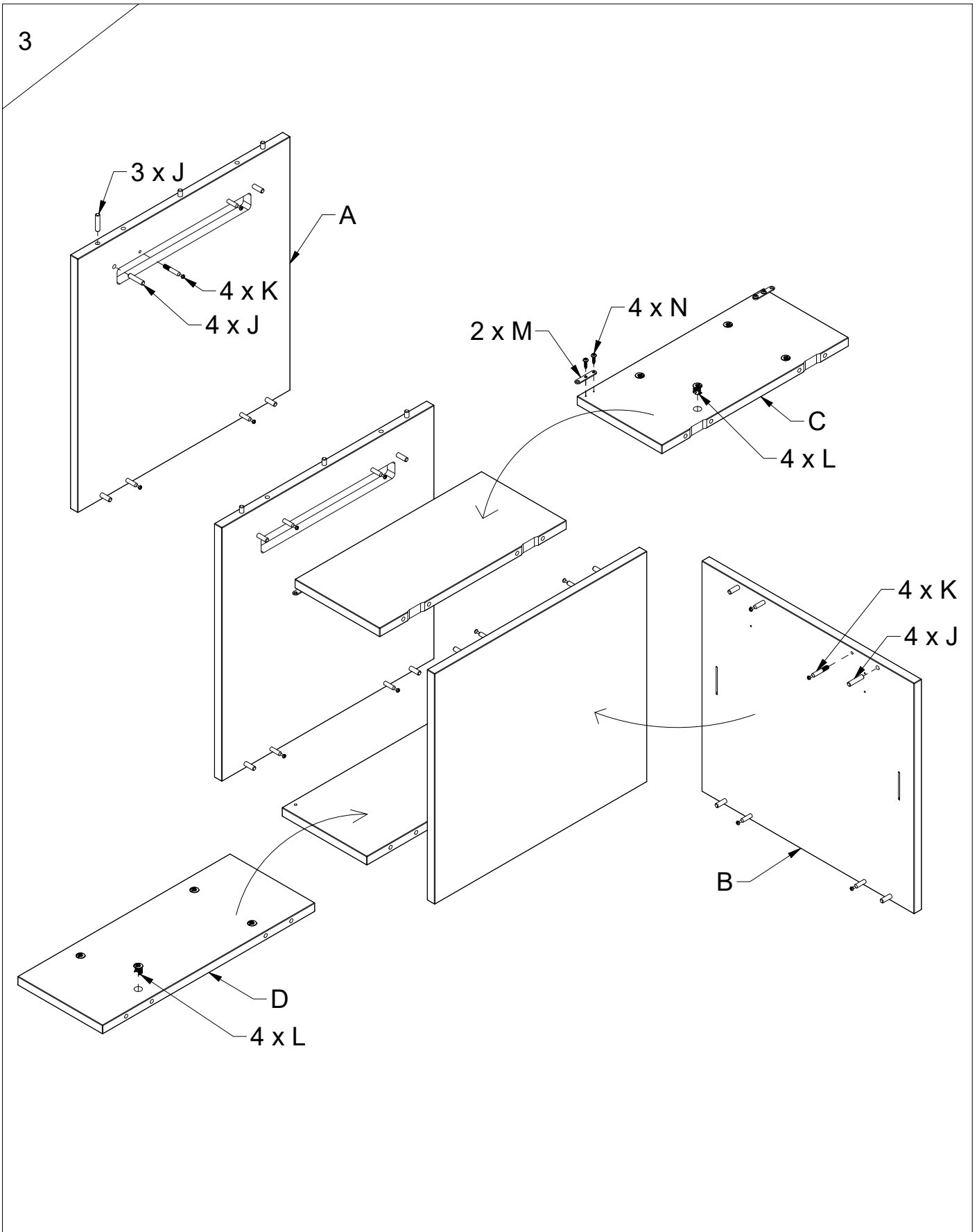


4 x S

# Assembly Guide



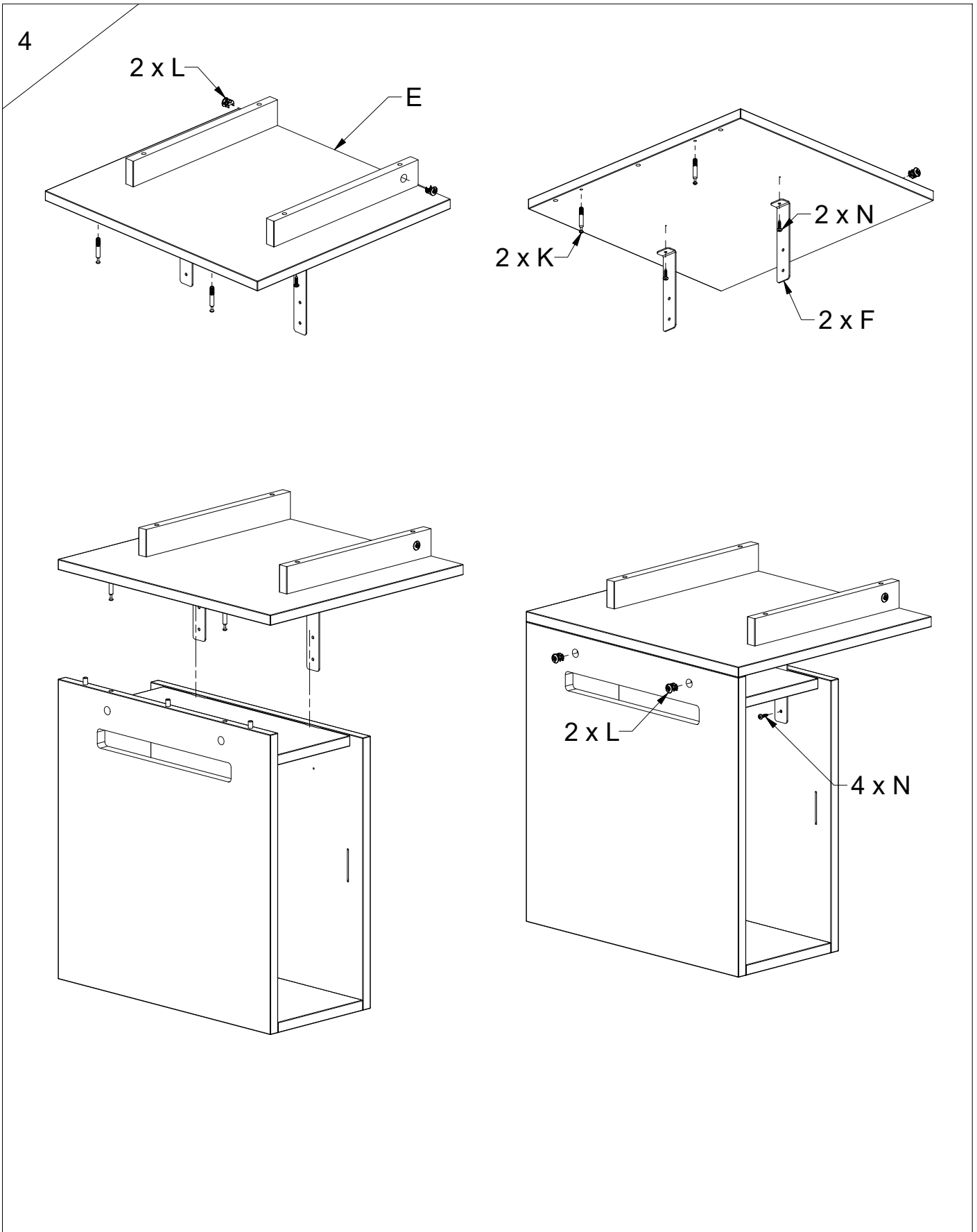
## Flatline wall mounted search station



# Assembly Guide



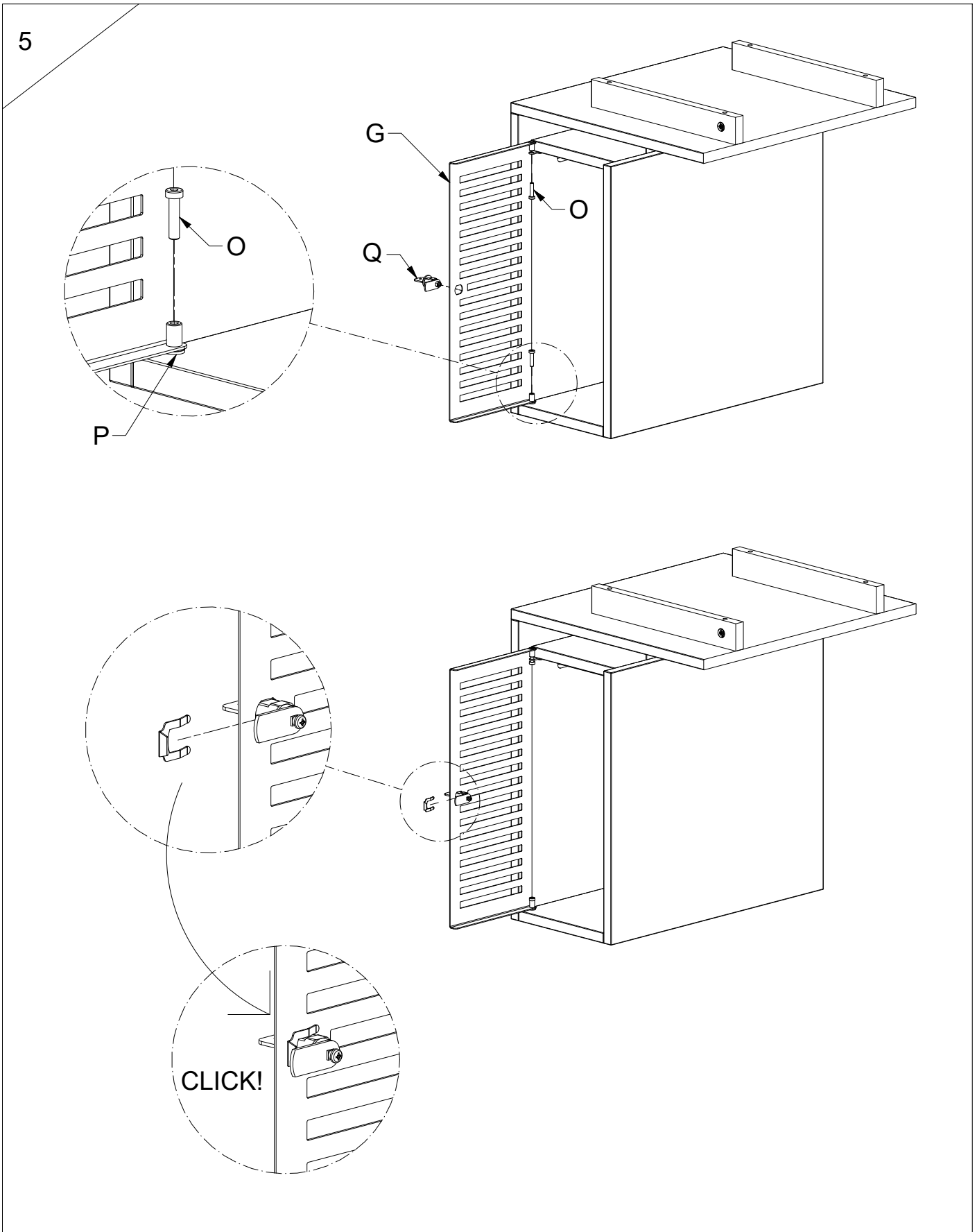
## Flatline wall mounted search station



# Assembly Guide



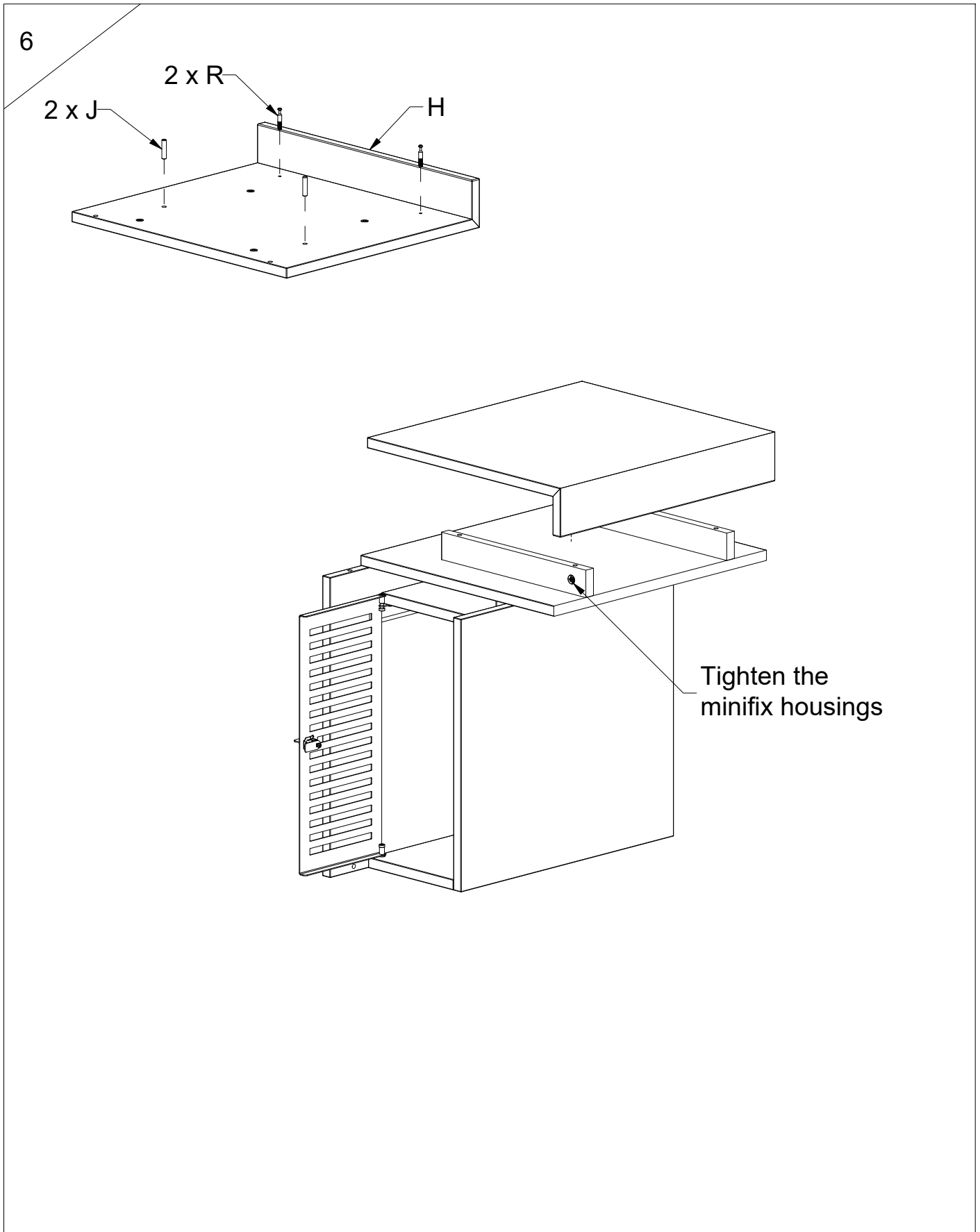
## Flatline wall mounted search station



# Assembly Guide



## Flatline wall mounted search station



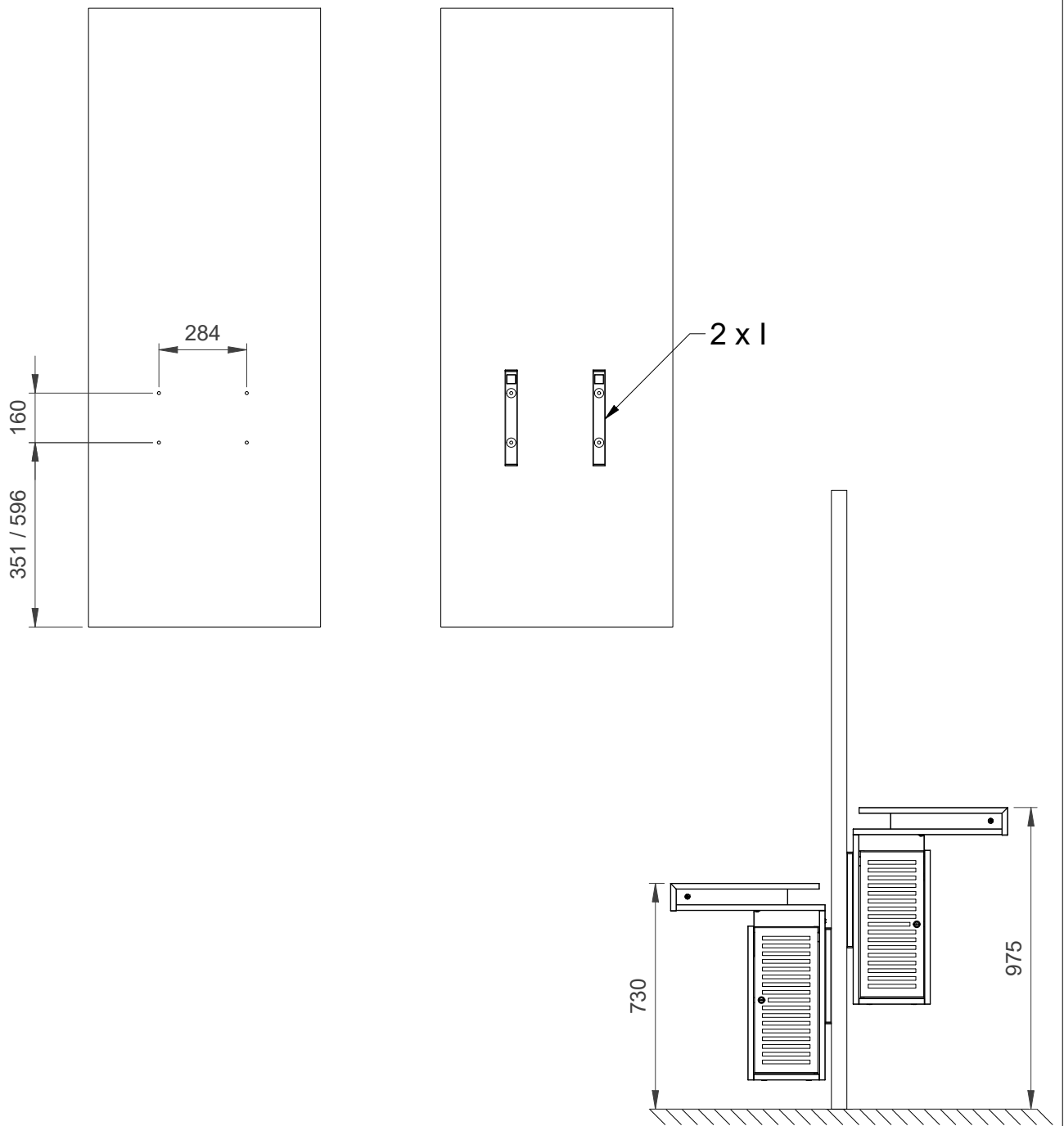


## Flatline wall mounted search station

7

The hardware (not included) used to secure the angled brackets (I) to the wall depends on your wall material. If you are unsure about what type of screw to use, contact your local hardware store.

Dimension of hole distance:





# Assembly Guide



## Flatline wall mounted search station

